

## PROINERT® PRESSURE SWITCH

### DESCRIPTION

The Pressure Switch (P/N IG71-202) is used to provide a latching electrical input to the control system indicating that the system has been discharged. When a system is discharged manually, the pressure switch provides the input to the control system needed to activate various audio/visual warning devices and auxiliary relays, which would not be activated otherwise.

The Discharge Pressure Switch should be wall mounted adjacent to the cylinder(s) or manifold.

**Note:**

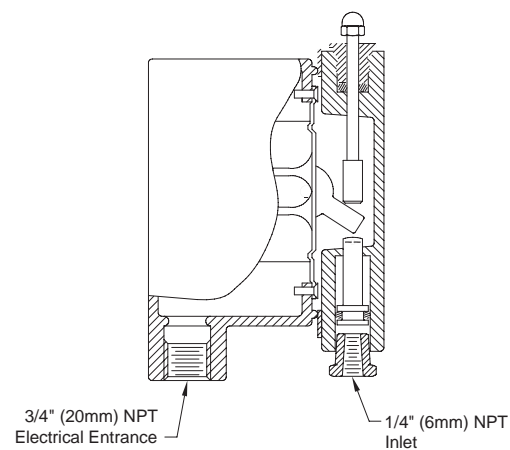
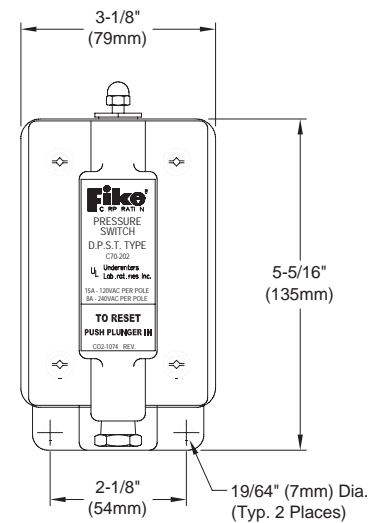
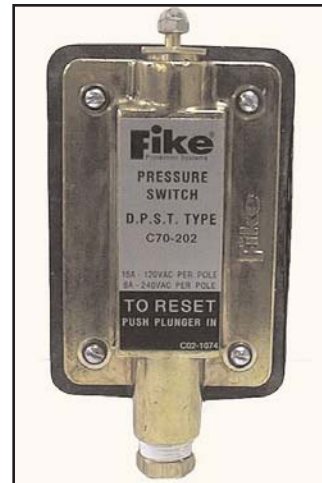
After operation, the pressure switch must be reset prior to resetting the control panel.

### SPECIFICATIONS

Part Number:	IG71-202
Switch:	Double pole, single throw
Ratings:	15A - 120 VAC 8A - 240 VAC
Operating Pressure:	100 psi (690 kpa) (Activation Pressure)

### APPROVALS

- U.L.
- FM
- U.L.C.



Form No. C.1.53.01